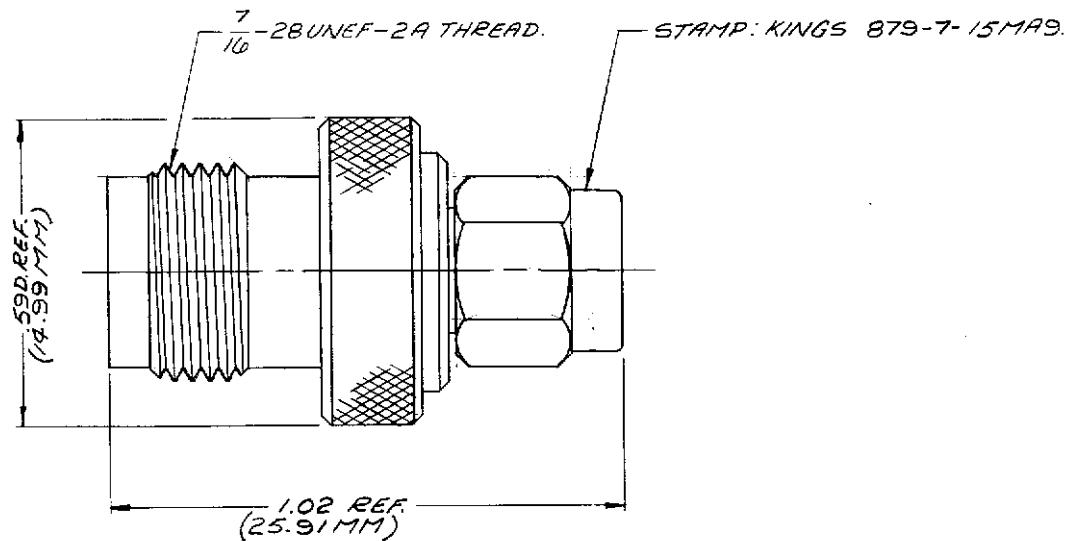


DASH NO. M CODE MADE FROM

REVISIONS	
ISSUE	CHANGES
4	CN 18981A MTB 29 DEC 78

879-7-15MA9



NOTES:

1. MATERIALS:

INSULATOR - TEFLON, L-P-403.  
 GASKET - SILICONE RUBBER, ZZ-R-705.  
 TNC BODY - BRASS, QQ-B-020.  
 ALL OTHER METAL PARTS - BER. COPPER, QQ-C-530.

2. FINISHES:

ALL METAL PARTS - HARD GOLD, PLT PER MIL-G-45204B.

3. ELECTRICAL CHARACTERISTIC:

NOMINAL IMPEDANCE - 50 Ω.  
 FREQUENCY RANGE - DC TO 11GH<sub>2</sub>.  
 WORKING VOLTAGE - 500 VOLTS. RMS.

UNLESS OTHERWISE SPECIFIED:

1. TOLERANCES: FRACTIONS & 2 PLACE DECIMALS ± .010  
 3 PLACE DECIMALS ± .004 ANGLES ± 0°30'
2. REMOVE ALL BURRS, BREAK SHARP EDGES .005 MAX.
3. NO FILLETS PERMITTED.
4. SURFACE ROUGHNESS 63 MICROINCHES RMS MAX.
5. ALL DIMENSIONS PRIOR TO PLATING.
6. ALL PLATING IN ACCORDANCE WITH KER 10004.

1. TOLERANCES: FRACTIONS & 2 PLACE DECIMALS ± .010  
 3 PLACE DECIMALS ± .004 ANGLES ± 0°30'
2. REMOVE ALL BURRS, BREAK SHARP EDGES .005 MAX.
3. NO FILLETS PERMITTED.
4. SURFACE ROUGHNESS 63 MICROINCHES RMS MAX.
5. ALL DIMENSIONS PRIOR TO PLATING.
6. ALL PLATING IN ACCORDANCE WITH KER 10004.

GSD

<b>GSD</b>	
SCALE:	4:1
APPROX. SURFACE AREA:	
USED ON:	
REF:	
ADAPTER TNC(F) TO SMA(M)	
DRAWN CT	DATE 11 JUL 84
APPR. MJB	DATE 27 JUL 84
<b>KINGS</b> ELECTRONICS CO., INC. LUDWIG, NEW YORK 10007	
879-7-15MA9	

GSD